

HD/EX MOUNT KIT

16062150

GM '99-'07 (CLASSIC) 2500/3500

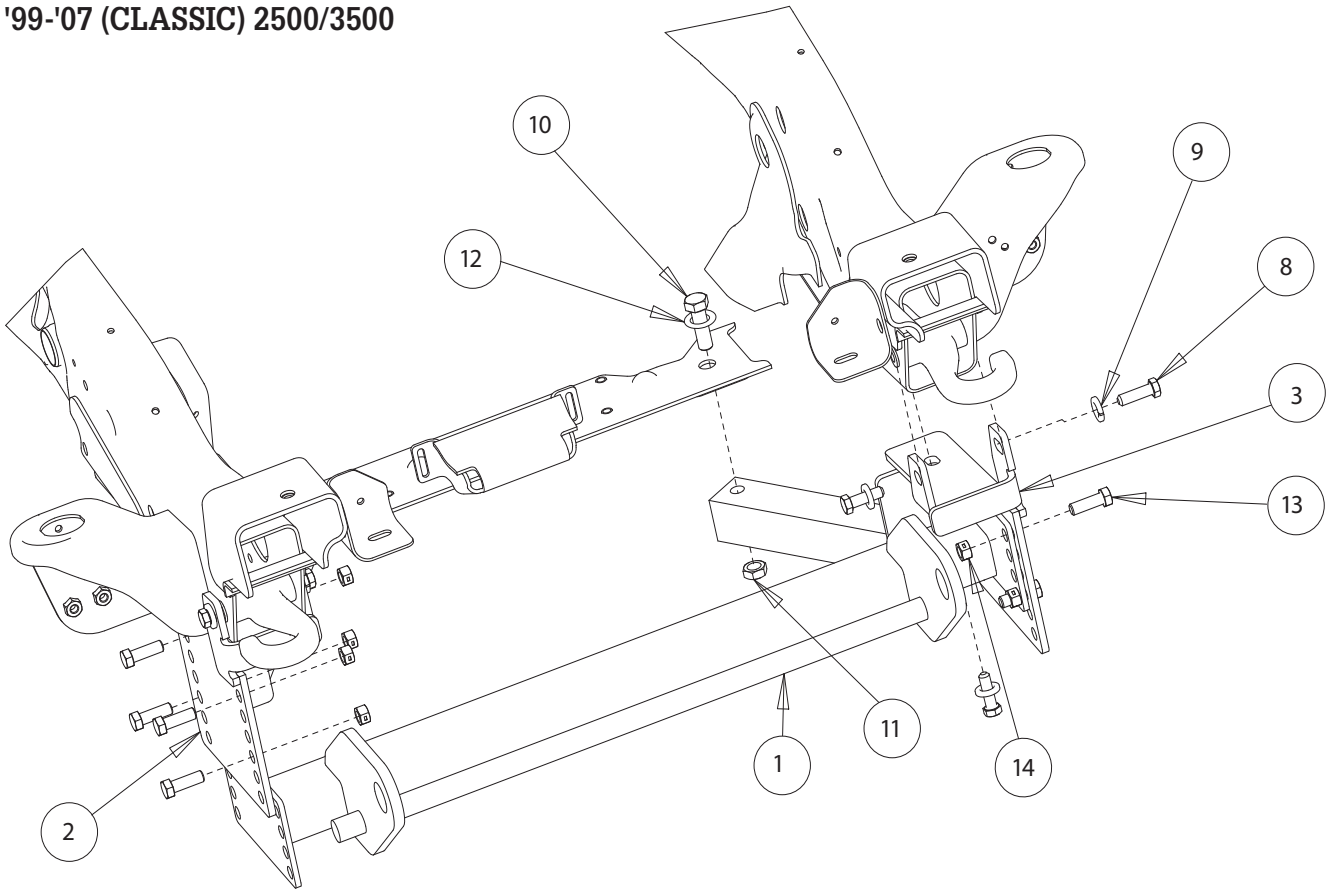
GM '07+ (NEW) 2500/3500



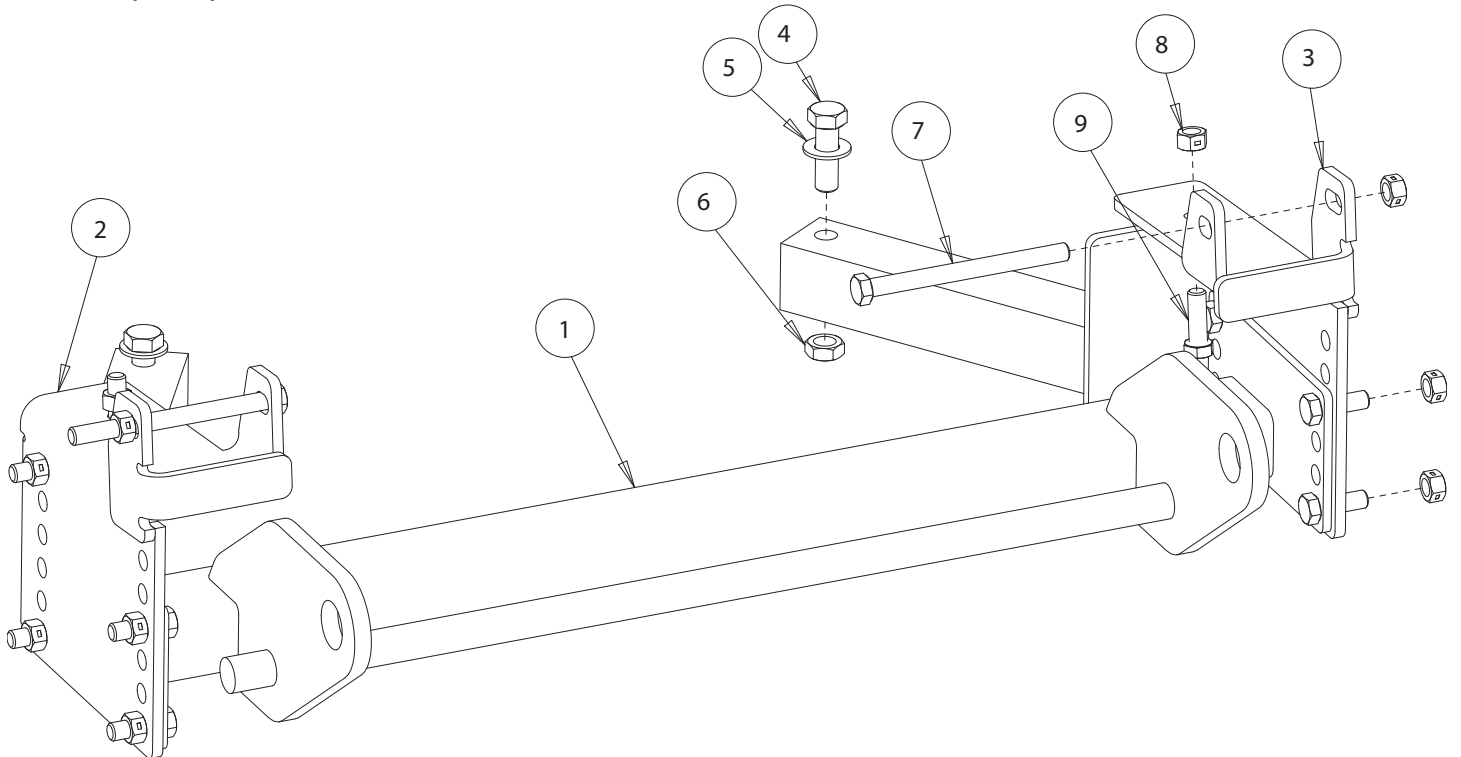
SnowDogg™ Snowplow

TRUCK MOUNT INSTALLATION MANUAL

GM '99-'07 (CLASSIC) 2500/3500



GM '07+ (NEW) 2500/3500



INSTRUCTIONS FOR GM '99-'07 (CLASSIC) 2500/3500

1. Remove the four (4) bolts securing the existing tow hooks. These bolts will not be reused. Leave the tow hooks in place. The bumper may need to be removed for this step.
2. Position the PS SIDE PLATE against the frame and loosely fasten using three (3) M12 HEX HEAD BOLTS and three (3) M12 LOCK WASHERS.
3. Repeat step 2 for the driver side.
4. Use two (2) 5/8"-11x2 HEX HEAD BOLTS, two (2) 5/8" FLAT WASHERS, and two (2) 5/8"-11 LOCK NUTS to secure the rear arm of the side mount plates to the skid plate. It is easiest to drop the bolt and washer in through the top.
5. Mount the Pushbar in place between the two side plates using eight (8) ½-13x1-1/2 bolts and eight (8) ½-13 locknuts. The centerline of the pushbar crosspin should be approximately 9" from the ground. The air dam of the vehicle may need to be altered to accommodate this height. Improper mounting height will result in uneven cutting edge wear.
6. Torque all fasteners as shown in the chart. Check and retorque all fasteners after 5 hours of usage to ensure safe plow operation.

INSTRUCTIONS FOR GM '07+ (NEW) 2500/3500

1. Remove the six (6) bolts securing the existing tow hooks. These bolts will not be reused. Leave the tow hooks in place. The bumper may need to be removed for this step.
2. Position the Passenger side mount plate against the frame and align using a ½-13x5 bolt. Do not tighten at this time.
3. Using the existing hole in the bottom of the side mount plate as a template, drill a ø.531 hole through the bottom of the frame and secure with a ½-13x2 bolt and locknut. The tow hook may be need to be removed temporarily or modified to access this bolt.
4. Reinstall the towhook and ½-13x4 bolt and lock nut.
5. Repeat steps 2-4 for the driver side.
6. Use two (2) 5/8-11x2 bolts, two (2) 5/8" washers, and two (2) 5/8-11 locknuts to secure the rear arm of the side mount plates to the skid plate. It is easiest to drop the bolt in through the top.
7. Mount the Pushbar in place between the two side plates using eight (8) ½-13x1-1/2 bolts and eight (8) ½-13 locknuts. The centerline of the pushbar crosspin should be approximately 9" from the ground. The air dam of the vehicle may need to be altered to accommodate this height. Improper mounting height will result in uneven cutting edge wear.
8. Torque all fasteners as shown in the chart. Check and retorque all fasteners after 5 hours of usage to ensure safe plow operation.

Parts List




ITEM	PART NO.	QTY.	DESCRIPTION
1	16062153	1	Pushbar, GM CK800
2	16062156	1	Mount, PS GM 2500/3500
3	16062154	1	Mount, DS GM 2500/3500
10	FCS063011200	1	Screw, Hex CAP 5/8-11 x 2", ZN Gr. 5
11	3007483	2	Nut, Hex Jam, Center Lock 5/8-11, ZP
12	FWF063131095	2	Washer, Flat 5/8"
13	3006202	8	Screw, Hex HD, 1/2-13 x 1-1/2, ZN Gr. 8
14	3002397	8	Locknut, Hex 1/2-13, ZN Gr. 8

Parts List - GM '99-'07 (CLASSIC) 2500/3500

ITEM	PART NO.	QTY.	DESCRIPTION
8	3009978	6	Screw, M12-1.75x40 MM HH Class 10.9, ZN
9	3009979	6	Washer, Lock M12 HEL Spring Yellow, ZN

Parts List - GM '07+ (NEW) 2500/3500

ITEM	PART NO.	QTY.	DESCRIPTION
4	3011255	2	Screw, Hex HD, 1/2-13 x 5, ZN Gr. 8
5	3002397	4	Locknut, Hex 1/2-13, ZN Gr. 8
6	3006202	2	Screw, Hex HD, 1/2-13 x 1-1/2, ZN Gr. 8

Recommended Fastener Torque Chart (ft.-lb.)			
Size	 SAE Grade 2	 SAE Grade 5	 SAE Grade 8
1/4-20	6	9	13
5/16-18	11	18	28
3/8-16	19	31	46
3/8-24	24	46	68
7/16-14	30	50	75
1/2-13	45	75	115
9/16-12	66	110	165
5/8-11	93	150	225
3/4-10	150	250	370
7/8-9	150	378	591
1-8	220	583	893

Metric Grade 8.8 (ft.-lb.)			
Size	Torque	Size	Torque
M6	7	M12	60
M8	17	M14	95
M10	35	M16	155

These torque values apply to fasteners except those noted in the instruction.

WARNING

- DO NOT under any circumstances disable, remove or relocate any sensors or components related to the operation of the air bags.
- Always follow the vehicle manufacturers' recommendations relating to snowplow installation.
- To comply with Federal Regulations and to assure a safe vehicle, the Front Gross Axle Weight Rating (FGAWR), Rear Gross Axle Weight Rating (RGAWR), and the Gross Vehicle Weight Rating (GAWR) must not be exceeded at any time.
- Due to the variety of equipment that can be installed on this vehicle, it is necessary to verify that the Front Gross Axle Weight Rating (FGAWR), Rear Gross Axle Weight Rating (RGAWR), and the Gross Vehicle Weight Rating (GAWR) are not exceeded at any time. This may require weighing the vehicle and adding ballast as necessary. It may also limit payload capacity of the vehicle. It is the operator's responsibility to verify that these ratings are not exceeded.

CAUTION

- Read all instructions prior to assembly
- It is critical that all fasteners be properly torqued for safe plow operation – see chart above.
- Fasteners should be retorqued after 5-8 hours of plow use

FULL ONE-YEAR WARRANTY

Manufacturer will repair, or at manufacturer's discretion will replace any part of this snowplow which proves to be defective in workmanship or material under normal use for a period of one year from the date of delivery to the original purchaser. Any cost incurred in returning the product to the supplier is the responsibility of the consumer.

EXCLUSIONS

Manufacturer shall not be liable for special, incidental, or consequential damages, or for damages resulting from lack of necessary maintenance, from misuse, abuse, acts of God, or alteration of the product. Some states do not allow the exclusion or limitation of incidental or consequential damages, so the above limitation or exclusion may not apply to you.