

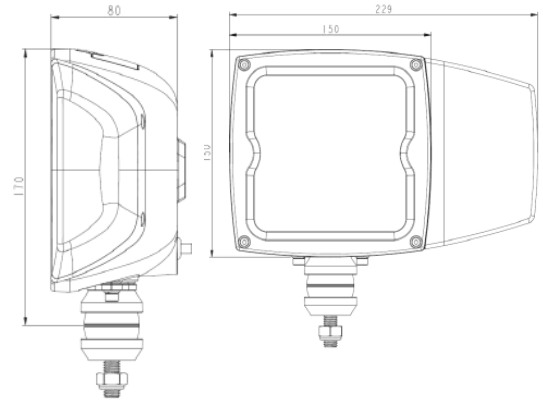


# WORKLAMPS



## EW4010 SERIES Square Snowplow LED

The EW4010 Series worklamp offers the latest technology and the very brightest white light for your application. Specially designed for snowplows, this LED model offers over 80,000 hours of maintenance-free life expectancy coupled with low amp draw. High-intensity light output and CE rating makes this LED worklamp the ideal choice for a wide variety of applications. Additional features include 12-24 VDC operation, shock resistant mounting, IP68 waterproof breather and a 3 year warranty.



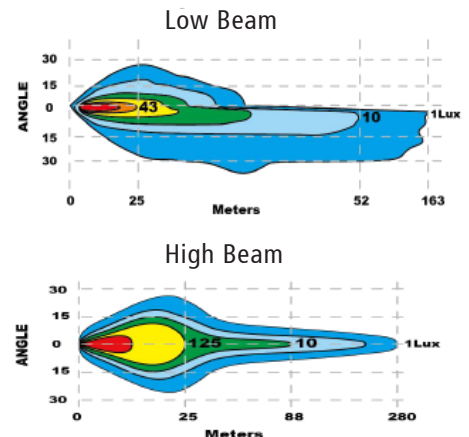
### Models

PART NO.	VOLTAGE	AMPS (Low Beam)	AMPS (High Beam)	RAW LUMENS (Low Beam)	RAW LUMENS (High Beam)
EW4010	12-24	1.6	3.2	1800	3600

### Features and Benefits

- High Beam / Low Beam / Position Light / Indicator
- Snow-melt and anti-icing system (patented technology)
- DOT certified
- Dual options for bottom and back mounting
- Multi-directional mounting for signal light (left/right/top)
- Unique aluminum heatsink housing design for maximum heat management
- Black powder-coated, diecast aluminum alloy housing and heat sink
- Tempered glass lens with polycarbonate reflector optics
- Units tested per SAE J994 random sinusoidal. Units vibrated for 30 minutes on a 15-minute cycle for a total of 6 hours at 10G along X, Y & Z axes.
- Estimated lens temperature when the heat function is turned on, with a 5mm layer of ice on lens with vehicle working in a -13°F (-25°C) environment
  - 1 minute : 0°F (-18°C)
  - 5 minutes : 30°F (-1°C)
  - 10 minutes : 59°F (15°C)
  - 1 hour : 154°F (68°C) – the maximum temperature the light will reach

### Beam Pattern



### Accessories

- EZ4010-LIGHT - Universal Lighthouse w/o harness
- EZ4010-WIRE - 10' Replacement wire harness
- EZ4010-MK - Replacement mounting kit

T 800-635-5900 | [orders@eccogroup.com](mailto:orders@eccogroup.com)